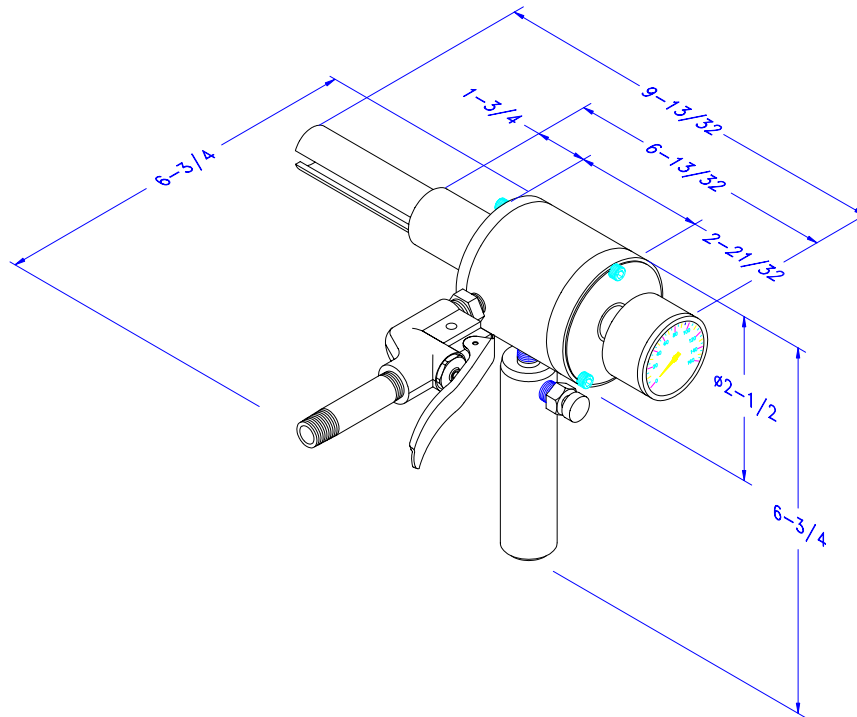


G450 TEST GUN DIMENSIONAL DRAWING



NOTES:

1. STROKE IS 1"
2. DIMENSIONS ARE REFERENCE ONLY

**QUESTIONS?** Contact EST Customer Service at any of the following locations with questions.

In USA and Canada: tel: 800-355-7044, fax: 215-721-1101, e-mail: [info@expansionseal.com](mailto:info@expansionseal.com)

In Europe: tel: +31-172-418841, fax: +31-172-418849; e-mail: [info@estgrp.nl](mailto:info@estgrp.nl)

In Asia: tel: +65-6745-8560, fax: +65-6742-8700, e-mail: [estasia@singnet.com.sg](mailto:estasia@singnet.com.sg)

On the Internet: [www.expansionseal.com](http://www.expansionseal.com)

**Expansion Seal Technologies** is part of the EST Group of companies. **EST Group** provides a complete range of repair products, services and replacement parts covering the life cycle of tubular heat exchangers and condensers; additionally EST provides products and services to facilitate pressure testing pipe, piping systems, pressure vessels and their components. Visit EST Group on the internet at [www.estgrp.com](http://www.estgrp.com).



**World Headquarters:**  
**Expansion Seal Technologies**  
2701 Township Line Road  
Hatfield, PA 19440-1770 USA  
Tel: 1-215-721-1100 Fax: 1-215-721-1101  
Toll-Free: 1-800-355-7044

**Expansion Seal Technologies EMEA**  
Hoorn 312a • 2404 HL Alphen aan den Rijn  
The Netherlands  
Tel: +31-172-418841  
Fax: +31-172 - 418849

**Expansion Seal Technologies Asia Pte Ltd.**  
35 Tannery Rd, #11-10 Tannery Block  
Ruby Industrial Complex  
Singapore 347740  
Tel: +65-6745-8560 Fax: +65-6742-8700