

# Economy Test Plugs



*Economy Test Plug*

*Bolt Type Test Plug*

*Auto Squat Test Systems*

*GripTight Test Plugs*

*High Lift Flange Test Plugs*

*Hydrostatic Test Plugs*

*For Low Pressure Testing  
Of Pipe and Tubing.*

*Test Pressures to 35 psig\**



Simply install the Economy Test Plug into the open end of a pipe or tube. Tighten the wing nut (2" to 3" sizes use a hex nut) to expand the seal. Begin pressure testing.

- **Heavy duty construction:** Plated carbon steel with neoprene seal elements.
- **Manufactured to fit pipe sizes 3/8" to 3"**
- **Long wearing Full Disk Seals:** Extend plug life.
- **Lightweight**

\* Maximum operating pressures have been determined by testing performed in clean, dry commercial grade carbon steel pipe. For maximum operating pressure in other applications, contact EST directly.



**World Headquarters:**  
Expansion Seal Technologies  
2701 Township Line Road  
Hatfield, PA 19440-1770 USA  
Tel: 1-215-721-1100 Fax: 1-215-721-1101  
Toll-Free: 1-800-355-7044

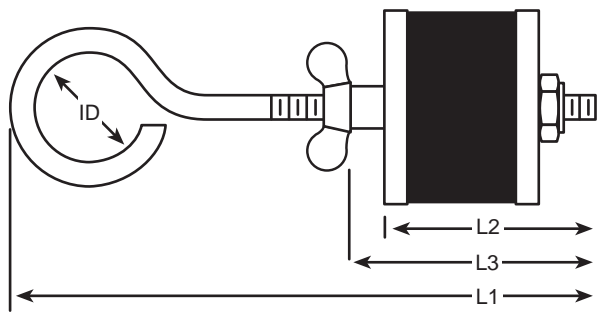
**Expansion Seal Technologies EMEA**  
Hoorn 312a • 2404 HL Alphen aan den Rijn  
The Netherlands  
Tel: +31-172-418841  
Fax: +31-172 - 418849

**Expansion Seal Technologies Asia Pte Ltd.**  
35 Tannery Rd, #11-10 Tannery Block  
Ruby Industrial Complex  
Singapore 347740  
Tel: +65-6745-8560 Fax: +65-6742-8700

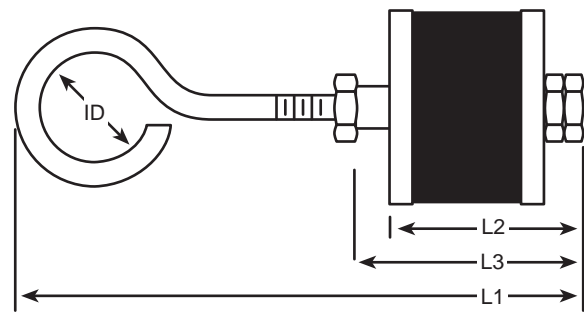
SPECIALISTS IN TUBE TESTING, SLEEVING AND PLUGGING TECHNOLOGY

AN ISO-9001 REGISTERED COMPANY

## Economy Test Plugs



Sizes 3/8" — 1-1/2"



Sizes 2" — 3"

Nominal Pipe Size	Plug Part No.	Unexpanded Seal OD	Bolt Dia. (in)	Eyebolt Eye ID (in)	Avg. Length (in) L <sub>1</sub>	Minimum Engagement Length (in) L <sub>2</sub>	Maximum Installation Length (in) L <sub>3</sub>	Max Operating Pressure (psi)**	Approx. Shipping Weight (lb)
3/8	ECY-0046-N	.43	3/16	3/8	2-1/2	1.11	1.11*	35	.06
1/2	ECY-0053-N	.50	1/4	9/16	4	1.62	2.12	35	.13
5/8	ECY-0063-N	.60	1/4	9/16	4	1.62	2.12	35	.13
3/4	ECY-0073-N	.70	1/4	9/16	4	1.62	2.12	35	.13
7/8	ECY-0083-N	.80	1/4	9/16	4	1.62	2.12	35	.13
1	ECY-0093-N	.90	1/4	9/16	4	1.62	2.12	35	.13
1-1/4	ECY-0113-N	1.10	3/8	1	6	1.81	2.31	15	.48
1-1/2	ECY-0133-N	1.30	3/8	1	6	2.06	2.56	15	.48
2	ECY-0173-N	1.70	3/8	1	6	2.06	2.56	15	.48
2-1/2	ECY-0213-N	2.10	3/8	1	7-1/2	2.88	3.38	15	1.57
3	ECY-0273-N	2.70	3/8	1	7-1/2	3.13	3.63	15	1.57

Specifications subject to change without notice.

\* No compression tube is used on 3/8" size.

\*\* Maximum operating pressures have been determined by lab tests performed in clean, dry commercial grade carbon steel pipe. For maximum operating pressures in other applications, contact EST directly.

Standard material: Plated carbon steel with neoprene seals.

### Ordering Information

When ordering, please specify the following information:

- Tube or pipe ID
- Maximum test pressure
- Temperature
- Fluid medium



**World Headquarters:**  
**Expansion Seal Technologies**  
 2701 Township Line Road  
 Hatfield, PA 19440-1770 USA  
 Tel: 1-215-721-1100 Fax: 1-215-721-1101  
 Toll-Free: 1-800-355-7044

**Expansion Seal Technologies EMEA**  
 Hoorn 312a • 2404 HL Alphen aan den Rijn  
 The Netherlands  
 Tel: +31-172-418841  
 Fax: +31-172-418849

**Expansion Seal Technologies Asia Pte Ltd.**  
 35 Tannery Rd, #11-10 Tannery Block  
 Ruby Industrial Complex  
 Singapore 347740  
 Tel: +65-6745-8560 Fax: +65-6742-8700

SPECIALISTS IN TUBE TESTING, SLEEVING AND PLUGGING TECHNOLOGY

AN ISO-9001 REGISTERED COMPANY